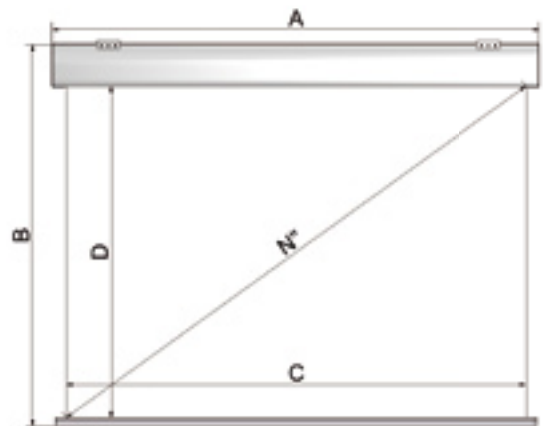
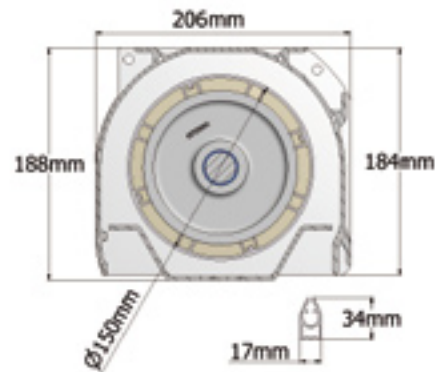




Having tools which are made to measure for the projection environment is the best way to obtain effective communication. When it comes to projecting in large spaces the best solution is Alumax, the screen devised especially for large-scale applications. Alumax is equipped with a built-in 150 mm diameter aluminium roller - specifically designed to roll very large surfaces - contained in a special case which is open underneath: these two features ensure the perfect planarity of the projection surface. Alumax is extremely practical to install, owing to the quick and easy assembly system. In other words, a magnet for the audience, even in the most challenging places.



Create your own screen with the PSS:

- > **personalized dimensions:** width and height
- > **roller type:** standard motorized
- > **case:** with standard case or without case
- > **case color:** available only in white
- > **projection surfaces:** VisionWhite, VisionAcoustik and Vision MacroAcoustik
- > **projection surface drop:** front or rear
- > **side of command/motor:** right or left

Standard accessories:

- > kit with wall- or ceiling- quick mount brackets
- > unipolar selector switch

Optional accessories:

- > receiver and RF remote control for motorized screen (3 modalities: basic, automatic and compatible with domotic systems)
- > receiver and infrared remote control
- > bracket extensions for screens up to 60 cm

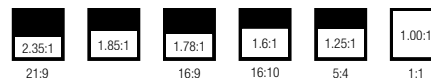
Format	Overall width	Overall height	Surface width	Surface height	Diagonal inches	Shipment sizes	Net weight	Gross weight
	A	B	C	D	N''			
4:3 WITH CASE	512	397	500	375	246	530X29X32	82	107
	612	472	600	450	295	630X29X32	100	125
4:3	512	396	500	375	246	530X20X21	53	75
	612	471	600	450	295	630X20X21	65	87



Standard formats



PSS formats



Surfaces Fireproof Certification

