

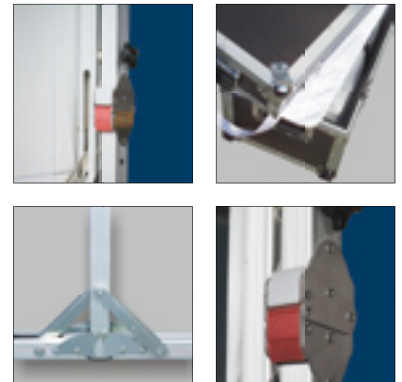
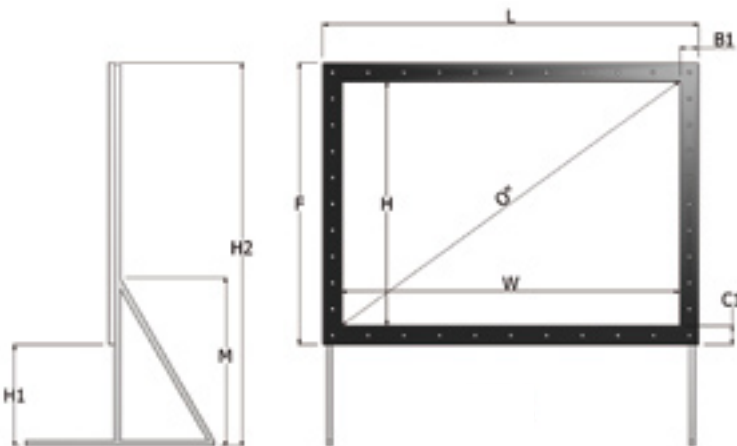


The screen you can pack in a suitcase.

An extremely light aluminium frame to which the surface is attached by means of clip-on buttons: the projection surface obtained is perfectly smooth, wrinkle-free and flexible, ensuring clear images and brilliant colours. The screen is supported by a pair of robust and unobtrusive stands.

The versatile structure is this product's strong point: Folder can be assembled and dismantled quickly and easily with no additional tools. A few simple gestures and the screen can be packed and stored away in its robust case: adaptable to the various sizes, for practical and safe transportation.

Ideal for the liveliest applications, such as exhibitions, concerts, conferences and entertainment contexts in general.



Format	Overall width	Overall height	Net surface width	Net surface height	Diagonal inches	Frame mm	Frame mm	Net weight	Gross weight	Shipment sizes	Stands sizes							
	L	F	W	H	O"	B1	C1	Kg	Kg		LxAxP cm	H1		H2				
4:3	261,8	201	243,8	183	120	9,0	9,0	27	47	134x35x39	min	20,8	max	105	min	271	max	342
	325,8	250	305	229	150	10,4	10,4	30	58	148x35x39	min	18,6	max	165	min	320	max	421
	386	294	366	274	180	10,0	10,0	33	60	139x51x41	min	22,1	max	128	min	320	max	415
	422,8	326	405	305	199	9,1	10,4	34	62	139x51x41	min	22,1	max	106	min	320	max	431
	530	403	508	381	250	11,0	11,0	52	90	168x54x50	min	51,5	max	150	min	529	max	551

Standard formats



4:3