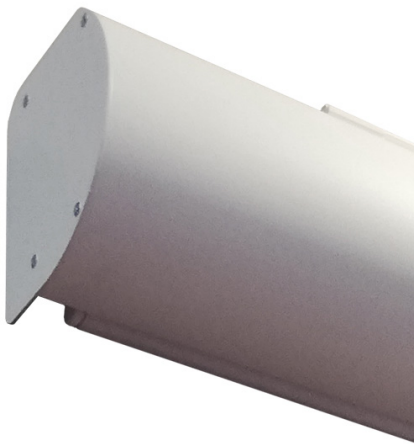


Linear SE model dedicated to those who wish to get a competitive price product without forfeiting quality. Linear SE is a new motorized model with renewed aesthetics and a modern super-quick installation system. Technology and ease of installation are the main plus of this version, dedicated to professional installations, schools and small meeting rooms.

This screen model has not been conceived to be installed on-ceiling in the middle of a room; it will have to be installed against a wall.

Available with dimensions from 1.8 to 2.6 m viewing width in formats 1:1 / 4:3 / 16:9 / 16:10

See page **110** for Technical data



Quick installation system ▲

### Create your own screen with the PSS

- > **Personalized dimensions:** width and height
- > **Motor type:** standard motor
- > **Case:** with quick-installation system
- > **Case color:** standard in White Grinz or optional in Black Grinz
- > **Projection surface** back (standard) or reverse-roll (optional)
- > **Side of command/motor:** right only

### Projection Surfaces (see page 6)

- > Vision White / Vision White Pro
- > Vision Rear DB available only without black borders
- > Chroma Key, available only without black borders

### Standard Accessories

- > Kit with wall or ceiling quick installation brackets
- > Unipolar switch

### Optional Accessories

- > Interface to drive the screen in radio frequency with remote control (not included), 12V trigger, unipolar switch, dry contact or RS232
- > Receiver and infrared remote control

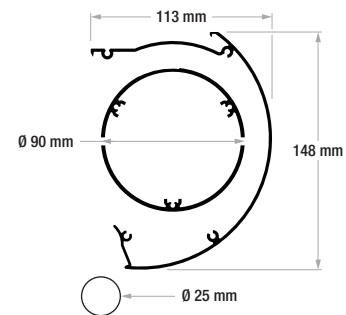
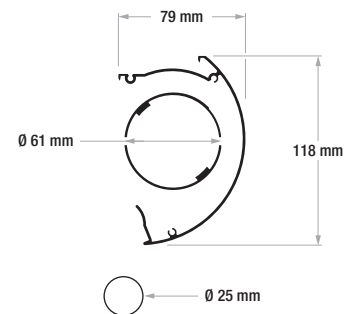
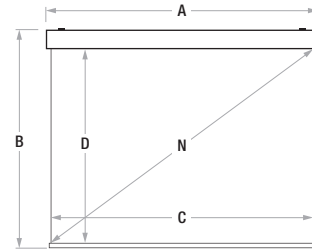
### PSS Formats



## Linear SE Without borders

Aspect Ratio	Viewing Width	Viewing Height	Diagonal Inches	Overall Width	Overall Height	Packaging Dimensions	Net Weight	Gross Weight
	C	D	N	A	B	mm	kg	kg
1,00 (1:1)	1800	1800	100	1860	1943	2060x150x180	12	15
	2000	2000	111	2060	2143	2260x150x180	14	17
	2200	2200	122	2260	2343	2460x150x180	16	19
	2400	2400	134	2460	2543	2660x150x180	18	21
	2600	2600	145	2660	2743	2860x150x180	20	23
	3000	3000	167	3060	3175	3260x200x210	28	32
1,33 (4:3)	1800	1353	89	1860	1496	2060x150x180	12	15
	2000	1504	99	2060	1647	2260x150x180	14	17
	2200	1654	108	2260	1797	2460x150x180	16	19
	2400	1805	118	2460	1948	2660x150x180	18	21
	2600	1955	128	2660	2098	2860x150x180	20	23
	3000	2256	148	3060	2431	3260x200x210	28	32
1,60 (16:10)	1800	1125	84	1860	1268	2060x150x180	12	15
	2000	1250	93	2060	1393	2260x150x180	14	17
	2200	1375	102	2260	1518	2460x150x180	16	19
	2400	1500	111	2460	1643	2660x150x180	18	21
	2600	1625	121	2660	1768	2860x150x180	20	23
	3000	1875	139	3060	2050	3260x200x210	28	32
1,78 (16:9)	1800	1011	81	1860	1154	2060x150x180	12	15
	2000	1124	90	2060	1267	2260x150x180	14	17
	2200	1236	99	2260	1379	2460x150x180	16	19
	2400	1348	108	2460	1491	2660x150x180	18	21
	2600	1461	117	2660	1604	2860x150x180	20	23
	3000	1685	135	3060	1860	3260x200x210	28	32
	3500	1966	158	3560	2141	3760x200x210	33	36
	4000	2247	181	4060	2422	4260x200x210	38	42

Custom sizes are available upon request



In certain circumstances, due to the surface's height, it is necessary to use a case with the rolling tube of 90 mm.



Surface Fireproof Certifications