



A line dedicated to those who wish to make the most of their investment without forfeiting quality. Starting from the installation system incorporated into the sides: the screen is fastened with plugs and screws, which are inserted into horizontal and vertical holes in the sides and subsequently concealed with special lids. This procedure ensures a finer visual impact and a greater stability and safety. This model is also distinguished by the characteristic matt white Ral 9003 powder-varnished finish of the case. In addition, materials have been selected especially to limit the emanation of vibrations, thus enabling a considerable noise reduction during the rolling and unrolling of the screen.



Create your own screen with the PSS:

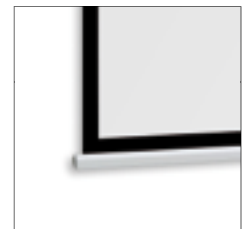
- > **standard measurements:** from 177 to 267 cm
- > **roller type:** motorized standard, radio integrated or manual winch
- > **case:** available only with case
- > **case color:** available only in matte white
- > **projection surfaces:** VisionWhite, VisionWhitePro, VisionGrey, VisionAcoustik and VisionRear, available also with black borders except the VisionRear
- > **height of top:** from 5 to 60 cm
- > **projection surface drop:** rear only
- > **side of command/motor:** right only

Standard accessories:

- > lids for closing the sides and for enclosing the wall- and ceiling-mount systems
- > unipolar selector switch
- > remote control (only for radio-integrated version)
- > winch pole for rolling and unrolling the projection surface in manual roller versions

Optional accessories:

- > receiver and RF remote control for motorized screen (3 modalities: basic, automatic and compatible with domotic systems)
- > receiver and infrared remote control
- > 3-channel Way remote control for radio integrated screens
- > cases for Way remote control for radio integrated screens

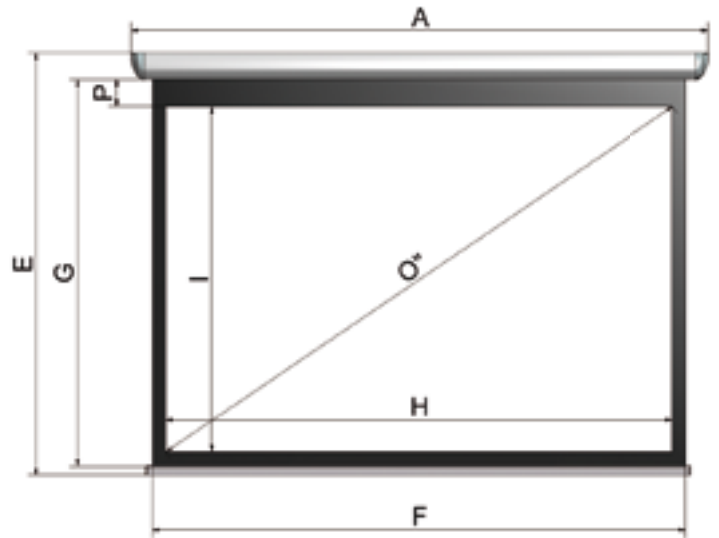
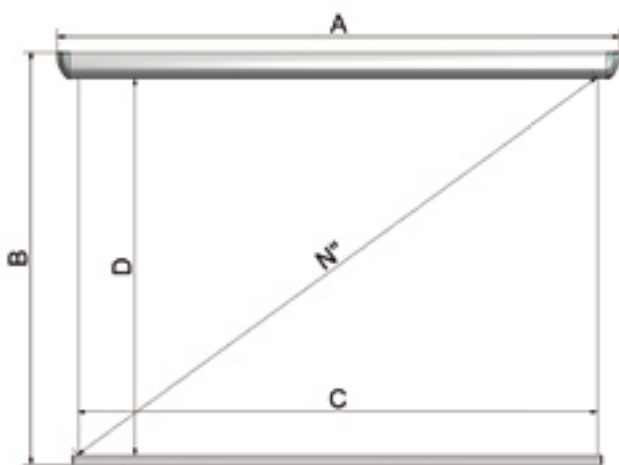
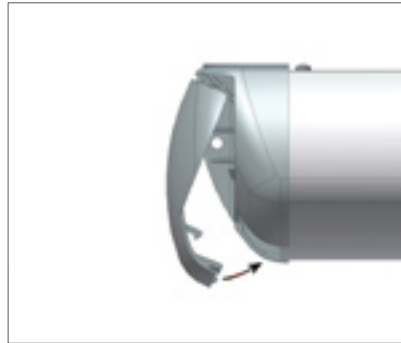
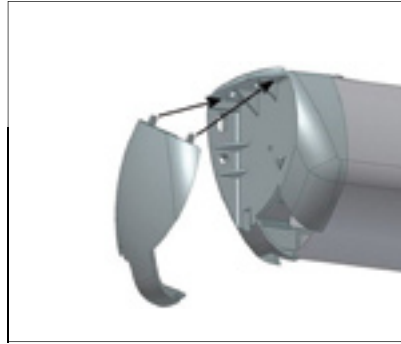
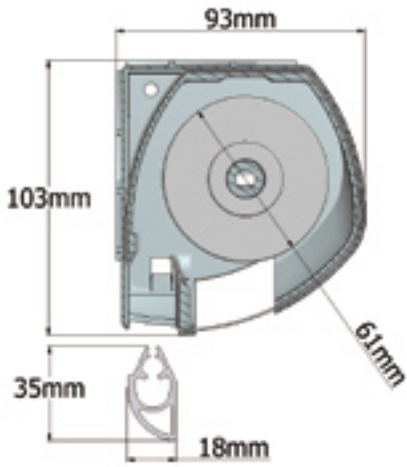


Surfaces Fireproof Certification

B1 M1 M2

Standard formats





Format	Without black borders					With black borders								Shipment sizes	Net weight	Gross weight
	Overall width	Overall height	Net surface width	Net surface height	Diagonal inches	Overall height	Surface width	Surface height	Net surface width	Net surface height	Top standard	Max extra Top	Diagonal inches			
	A	B	C	D	N''	E	F	G	H	I	P	cm	O''			
4:3	177	134	160	120	79	136	160	123	150	113	5	40	74	197x15x18	11	13
	197	149	180	135	89	151	180	138	170	128	5	45	84	217x15x18	12	14
	217	164	200	150	98	166	200	153	190	143	5	50	94	237x15x18	13	15
	237	179	220	165	108	181	220	168	210	158	5	55	103	257x15x18	14	16
	267	201	250	188	123	204	250	190	240	180	5	60	118	287x15x18	15	17
16:9	177	104	160	90	72	108	160	94	150	84	5	60	68	197x15x18	10	12
	197	115	180	101	81	119	180	106	170	96	5	60	77	217x15x18	11	13
	217	126	200	113	90	131	200	117	190	107	5	60	86	237x15x18	12	14
	237	138	220	124	99	142	220	128	210	118	5	60	95	257x15x18	14	16
1:1	267	154	250	141	113	159	250	145	240	135	5	60	108	287x15x18	16	18
	177	174	160	160	89	174	160	160	150	150	5	5	84	197x15x18	11	13
	197	194	180	180	100	194	180	180	170	170	5	5	95	217x15x18	12	14
	217	214	200	200	111	214	200	200	190	190	5	5	106	237x15x18	13	15
	237	234	220	220	122	234	220	220	210	210	5	5	117	257x15x18	15	17
	267	264	250	250	139	264	250	250	240	240	5	5	134	287x15x18	17	19