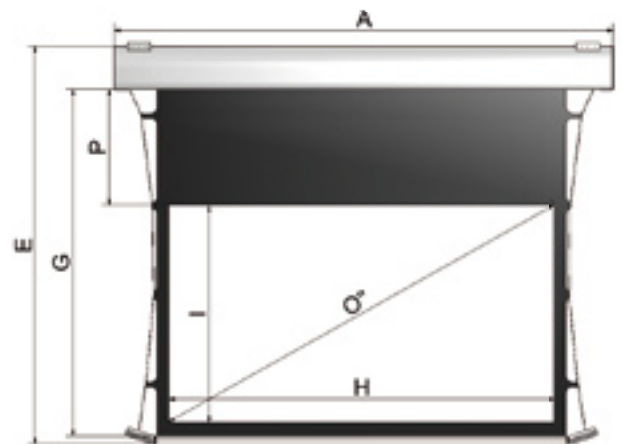
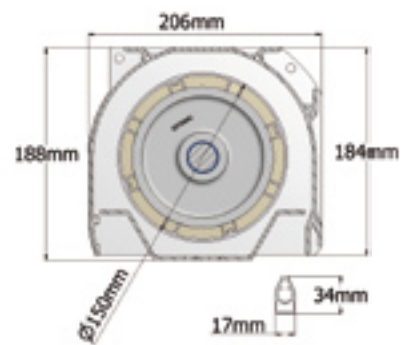




Large-scale screens no longer fear the "tensioning test". In addition to its trademark 150 mm diameter aluminium roller, and the case which is open underneath, the Alumax screen can count on another formidable feature to guarantee the perfect planarity of large-scale canvases: the CTS (Constant Tension System), which ensures the constant self-tensioning of the screen by means of two counterweights hooked onto hinges placed at the ends of the screen's base, devised for tensioning rigid cables threaded through lateral eyelets. This also prevents the formation of creases during rolling, since the eyelets are positioned outside the projection surface (see page 7). The ideal technical solution for excellent projection even in the largest spaces.



**Create your own screen with the PSS:**

- > **personalized dimensions:** width and height
- > **roller type:** standard motorized
- > **case:** available only with case
- > **case color:** available only in white
- > **projection surfaces:** VisionWhite, VisionAcoustik and Vision MacroAcoustik only with black borders
- > **height of top:** from 10 to 20 cm
- > **projection surface drop:** front or rear
- > **side of command/motor:** right or left

**Standard accessories:**

- > kit with wall- or ceiling- quick mount brackets
- > unipolar selector switch

**Optional accessories:**

- > receiver and RF remote control for motorized screen (3 modalities: basic, automatic and compatible with domotic systems)
- > receiver and infrared remote control
- > bracket extensions for screens up to 60 cm

Format	Overall width	Overall height	Surface width	Surface height	Net surface width	Net surface height	Top standard	Max extra Top	Diagonal inches	Shipment sizes	Net weight	Gross weight
	A	E	F	G	H	I	P	cm	O°	cm	kg	kg
4:3 WITH CASE	512	385	474	363	464	348	10	20	228	530X29X32	82	107
	612	460	574	438	564	423	10	20	278	630X29X32	100	125
4:3	512	384	474	363	464	348	10	20	228	530X20X21	53	75
	612	459	574	438	564	423	10	20	278	630X20X21	65	87



**Standard formats**



**PSS formats**



Surfaces Fireproof Certification

