



A screen that has been dubbed "Made for Installation" due to its innovative assembly system. In addition, this model disappears into a false ceiling by means of a retractable mechanism, and is endowed with the classic tensioning method, which ensures a perfect planarity of the surface while safeguarding a harmonious aesthetic impact. Two elastic cables depart from the ends of the base and are threaded through eyelets along the sides of the canvas, creating a lateral arch which avoids the risk of any creases forming during the rolling phase, despite the presence of the eyelets (see page 7).

While maintaining the characteristic Inceel design, this solution further enhances an invaluable tool for your work and leisure time without posing any space limitations.

Create your own screen with the PSS:

- > **personalized dimensions:** width and height
- > **roller type:** motorized or radio integrated
- > **case:** available only with case
- > **case color:** available only in white
- > **projection surfaces:** VisionWhite, VisionWhitePro, VisionGrey and VisionAcoustik only with black border
- > **height of top:** from 5 to 70 cm
- > **projection surface drop:** front or rear
- > **side of command/motor:** right only

Standard accessories:

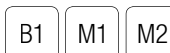
- > kit containing eight 50 cm threaded bars for installation with maximum height of 1 m
- > unipolar selector switch
- > remote control (only for radio-integrated version)
- > end plates for closing the plasterboard

Optional accessories:

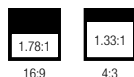
- > receiver and RF remote control for motorized screen (3 modalities: basic, automatic and compatible with domotic systems)
- > receiver and infrared remote control
- > 3-channel Way remote control for radio integrated screens
- > cases for Way remote control for radio integrated screens
- > bracket extensions for screens up to 60 cm



Surfaces Fireproof Certification

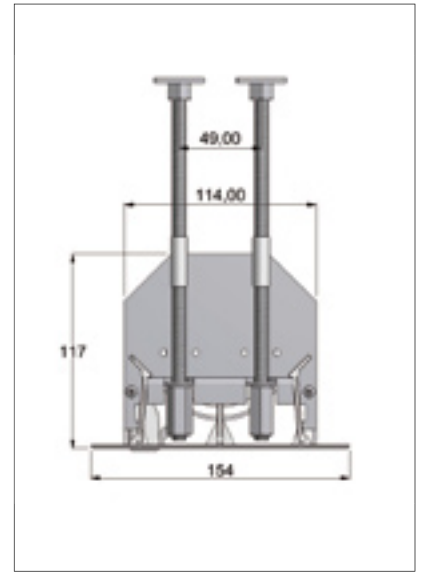
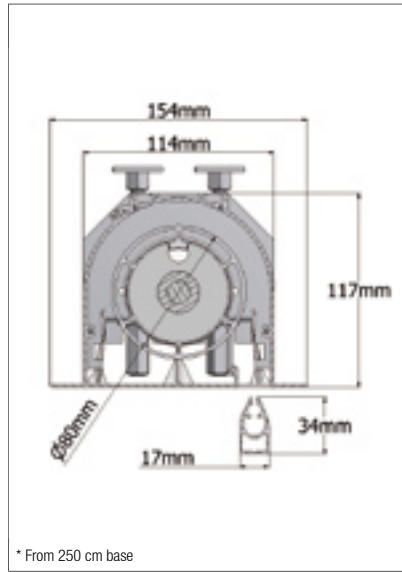
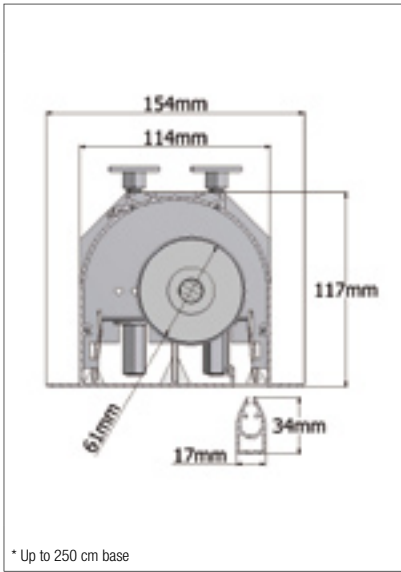


Standard formats

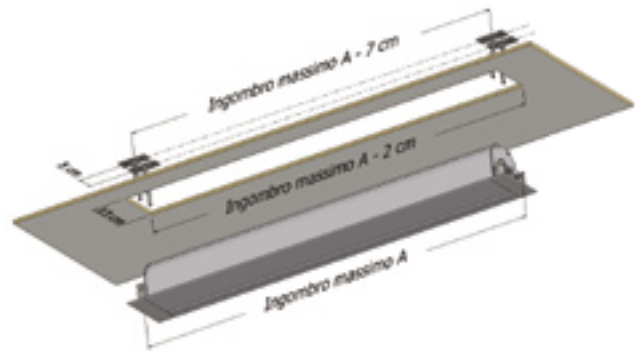
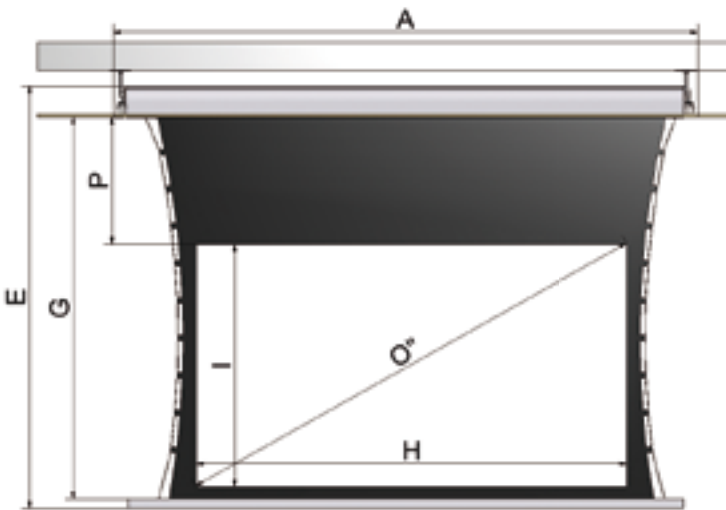


PSS formats





* In certain circumstances due to the surface's height it is necessary to use a case with the rolling tube of 80 mm



Format	Overall width	Overall height	Surface width	Surface height	Net surface width	Net surface height	Top standard	Max extra Top	Diagonal inches	Shipment sizes	Net weight	Gross weight
	A	E	F	G	H	I	P	cm	0"	cm	kg	kg
4:3	197	134	155	119	145	109	5	40	71	210X20X21	16	21
	217	149	175	134	165	124	5	45	81	230X20X21	17	22
	237	164	195	149	185	139	5	50	91	250X20X21	18	23
	267	186	225	171	215	161	5	55	106	280X20X21	19	24
	317	229	275	214	265	199	10	70	130	330X20X21	21	26
	367	266	325	251	315	236	10	55	155	380X20X21	23	30
16:9	197	107	155	92	145	82	5	65	65	210x20x21	15	20
	217	118	175	103	165	93	5	70	75	230x20x21	16	21
	237	129	195	114	185	104	5	70	84	250x20x21	17	22
	267	146	225	131	215	121	5	70	97	280x20x21	18	23
	317	179	275	164	265	149	10	70	120	330x20x21	20	25
	367	207	325	192	315	177	10	70	142	380x20x21	22	27
	417*	235	375	220	365	205	10	70	165	430x20x21	24	29

* Not available for VisionWhitePro surface