



The unique style of the Elegance screen comes with two types of tensioning. The CTS (Constant Tension System) is equipped with two counterweights, hooked onto hinges placed at the ends of the screen base: these tension rigid cables threaded through the lateral eyelets, guaranteeing constant self-tensioning and a smooth, crease-free rolling, owing to the fact that the eyelets are positioned outside the screen's surface. The ideal solution for those who put technical performance first. But since aesthetics are important, there is also the classic system, in which the cables are elastic. Threaded through the eyelets, they create a lateral curve of the surface, which is useful to prevent the formation of creases, despite the presence of the eyelets (see page 7). In both cases the additional elements maintain the harmonious lines of the lateral sides and of the abutting base. Providing customized aesthetics and optimal planarity in one product.

Create your own screen with the PSS:

- > **personalized dimensions:** width and height
- > **roller type:** motorized or radio integrated
- > **case:** with standard or quick-installation case
- > **case color:** white, black or natural anodized grey
- > **projection surfaces:** VisionWhite, VisionWhitePro, VisionGrey and VisionAcoustik only with black border
- > **height of top:** from 5 to 70 cm
- > **projection surface drop:** front or rear
- > **side of command/motor:** right or left

Standard accessories:

- > kit with wall- or ceiling-mount brackets
- > unipolar selector switch
- > remote control (only for radio-integrated version)

Optional accessories:

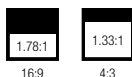
- > receiver and RF remote control for motorized screen (3 modalities: basic, automatic and compatible with domotic systems)
- > receiver and infrared remote control
- > 3-channel *Way* remote control for radio integrated screens
- > cases for *Way* remote control for radio integrated screens
- > bracket extensions for screens up to 60 cm



Surfaces Fireproof Certification

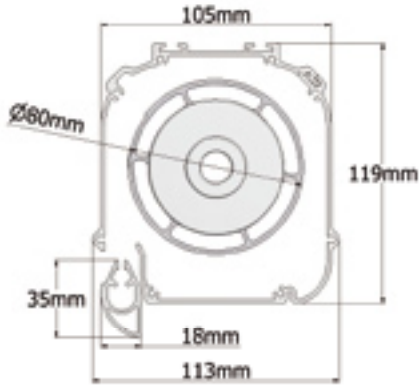


Standard formats

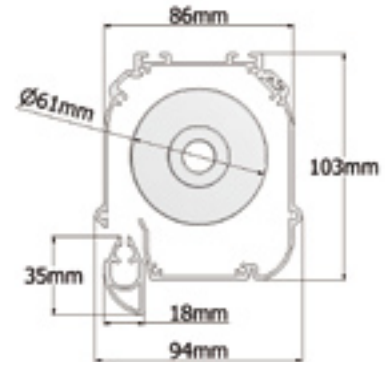


PSS formats



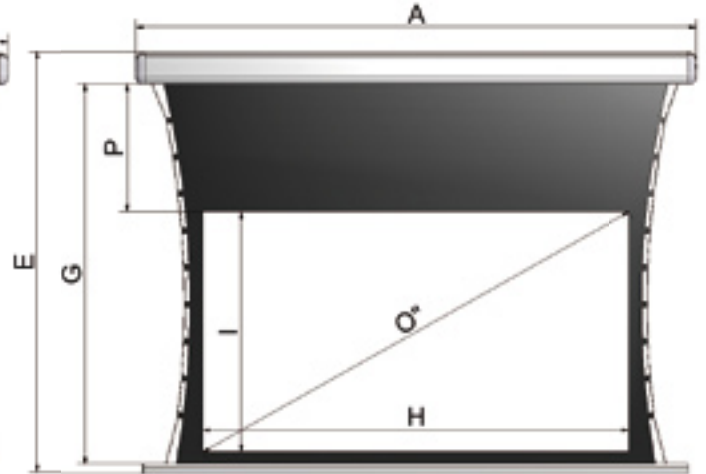
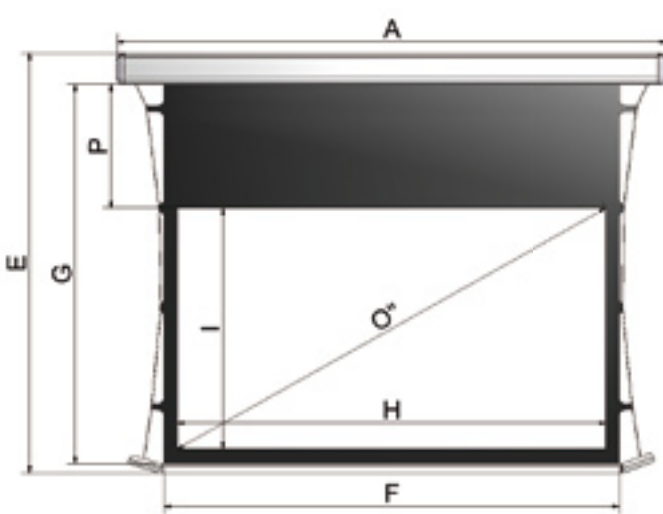


* From 250 cm base



* Up to 250 cm base

* In certain circumstances due to the surface's height it is necessary to use a case with the rolling tube of 80 mm



Format	Overall width	Overall height	Surface width	Surface height	Net surface width	Net surface height	Top standard	Max extra top	Diagonal inches	Shipment sizes	Net weight	Gross weight
	A	E	F	G	H	I	P	cm	O°	cm	kg	kg
4:3	200	138	162	124	152	114	5	40	75	220x15x18	12	15
	250	175	212	162	202	152	5	40	99	270x15x18	15	18
	300	219	261	203	251	188	10	65	124	320x15x18	25	28
	350	256	311	241	301	226	10	65	148	370x15x18	28	33
16:9	200	109	162	96	152	86	5	70	69	220x15x18	11	12
	250	137	212	124	202	114	5	70	91	270x15x18	14	17
	300	171	261	156	251	141	10	70	113	320x15x18	23	26
	350	200	311	184	301	169	10	70	136	370x15x18	26	31