



This model offers an installation system incorporated into the sides of a matt white Ral 9003 case with powder-varnished finish. The case is made of materials especially selected to reduce noise during rolling and unrolling of the projection surface. The Linear screen offers all of this, and more: its potential is further enhanced by a choice of two tensioning systems. The CTS (Constant Tension System) exploits the tension produced by two counterweights hooked onto hinges placed at the two ends of the base, which stretch rigid cables threaded through eyelets along the edge of the canvas. The system ensures a constant self-tensioning through time, and a crease-proof rolling operation, since during this phase the eyelets remain on the outside of the project surface. Here, technique is first and foremost. For those who have special aesthetic requirements, the classic tensioning system is available. In this version the cables threaded through the eyelets are elastic: the arch that is formed laterally confers elegance to the assembly, while favouring smooth rolling and avoiding the formation of creases, despite the presence of the eyelets (see page 7).

Create your own screen with the PSS:

- > **standard measurements:** from 177 to 267 cm
- > **roller type:** motorized standard or radio integrated
- > **case:** available only with case
- > **case color:** available only in matte white
- > **projection surfaces:** VisionWhite, VisionWhitePro, VisionGrey and VisionAcoustik only with black border
- > **height of top:** from 5 to 70 cm
- > **projection surface drop:** rear only
- > **side of command/motor:** right only

Standard accessories:

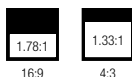
- > lids for closing the sides and for enclosing the wall- and ceiling-mount systems
- > unipolar selector switch
- > remote control (only for radio-integrated version)

Optional accessories:

- > receiver and RF remote control for motorized screen (3 modalities: basic, automatic and compatible with domotic systems)
- > receiver and infrared remote control
- > 3-channel Way remote control for radio integrated screens
- > cases for Way remote control for radio integrated screens

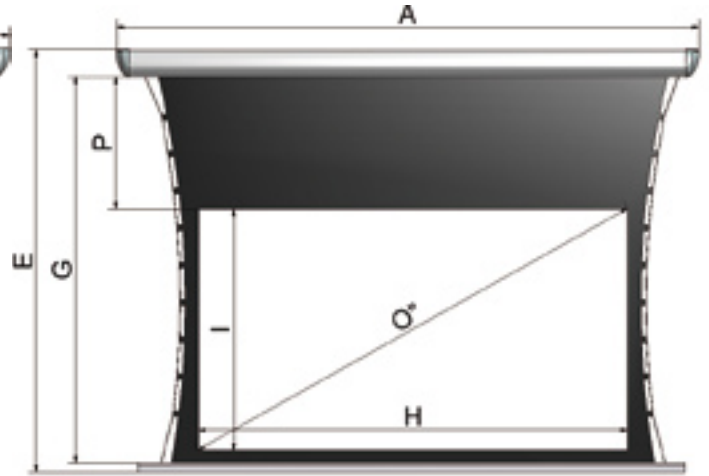
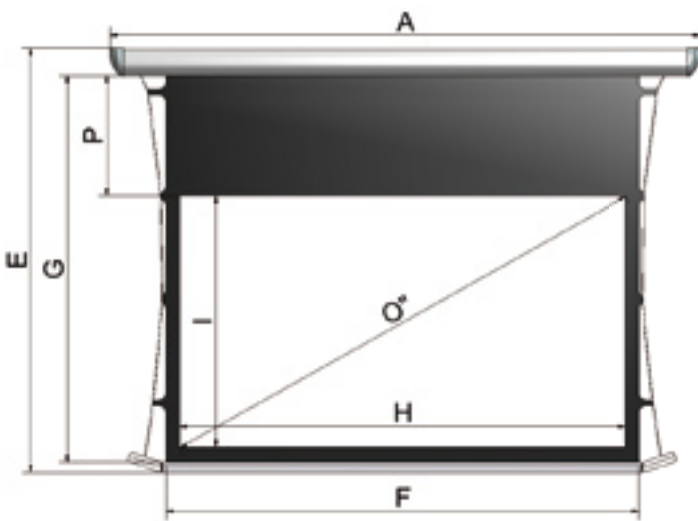
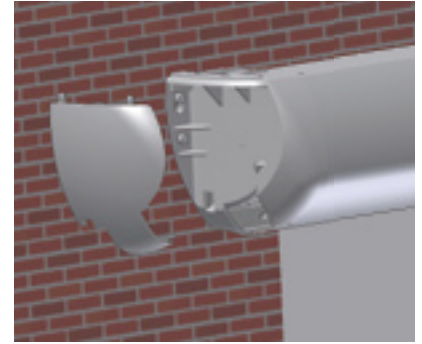
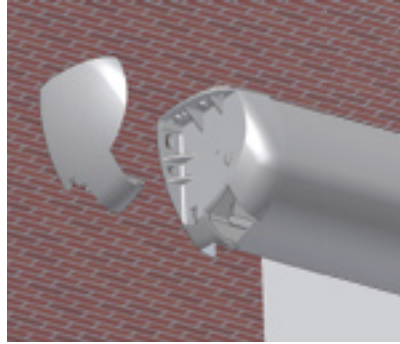
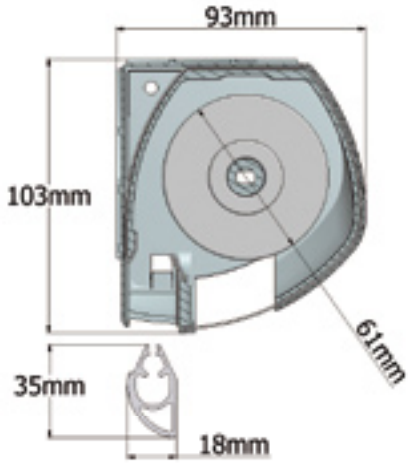


Standard formats



Surfaces Fireproof Certification





Format	Overall width	Overall height	Surface width	Surface height	Net surface width	Net surface height	Top standard	Max extra top	Diagonal inches	Shipment sizes	Net weight	Gross weight
	A	E	F	G	H	I	P	cm	0"	cm	kg	kg
4:3	177	117	134	103	124	93	5	35	61	197X15X18	11	13
	197	132	154	118	144	108	5	40	71	217X15X18	12	14
	217	147	174	133	164	123	5	45	81	237X15X18	13	15
	237	162	194	148	184	138	5	50	91	257X15X18	14	16
	267	184	224	171	214	161	5	55	105	287X15X18	15	17
16:9	177	94	134	80	124	70	5	55	56	197X15X18	10	12
	197	105	154	91	144	81	5	65	65	217X15X18	11	13
	217	116	174	102	164	92	5	70	74	237X15X18	12	14
	237	127	194	114	184	104	5	70	83	257X15X18	14	16
	267	144	224	130	214	120	5	70	97	287X15X18	16	18