

ENGLISH

YOU HAVE MADE A WISE SELECTION...

in choosing a Grandview projection screen designed and engineered to produce the sharpest, most pleasing pictures with Maximum convenience.

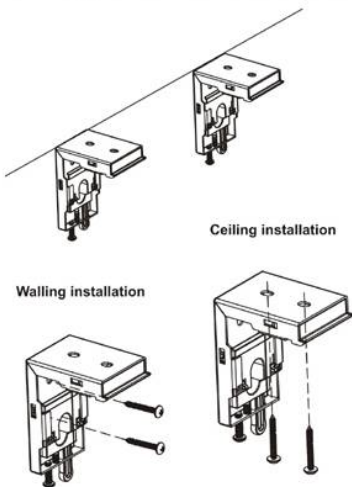
How to maintain the projection screen

When the projection screen needn't to be used, it should be rolled up back to the protection box. You should check it after you use it at every time. If there is dust or dirt on the surface of the screen, it should be brushed and cleaned with soft cloth.

Installation method

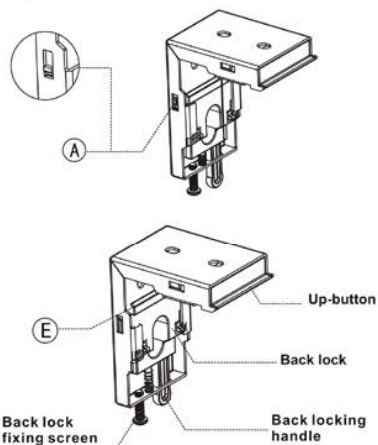
Before installation, choose the best visual angle position for the audience. When the screen is unfolded fully, make sure that the bottom of it should be higher than the head of the audience. The correct installation and usage method will prolong the life span of the projection screen.

1. Before installing the screen, fix the metal install bracket on wall or ceiling mount it with ϕ 5x60 zigong screw (wood wall or ceiling). Make sure that both the right & left metal install bracket (Drawing 1), be fixed at the same horizontal line.

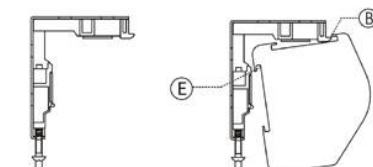


(drawing 1)

2. Pull the back lock button of metal bracket, make sure the back lock button stay following picture as point A.



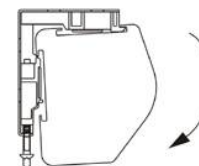
(drawing 2)



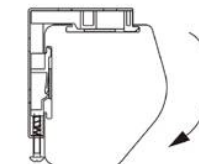
(drawing 3)

3. When hanging up the screen, up tilt the point B of the screen outer case a little, so that the up-button of the right and left metal install bracket can buckle the up-trough of the screen outer case (Drawing 3). Then, push the back of screen outer case touch the metal install bracket and move the touch point of the metal install bracket. Last, make the back lock point E to be launched the inner trough (Drawing 5). Meanwhile, check the screen outer case. The erector should buttress the screen, the other hand touch the metal install bracket. Make sure that the up-button has been inserted into the up inner trough of the screen outer case. Then, use your hand to push the back lock of the metal install bracket, shake the screen outer case lightly. Make sure that the back lock of point E has been inserted into the back inner trough of screen outer case, and the screen has been well installed.

(drawing 4)

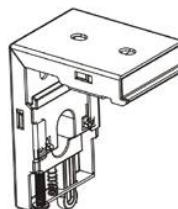


(drawing 5)

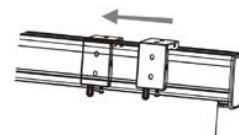


4. Screw down the fixed screw of the back lock, make sure that the metal install bracket is fixed tightly.

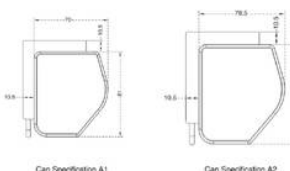
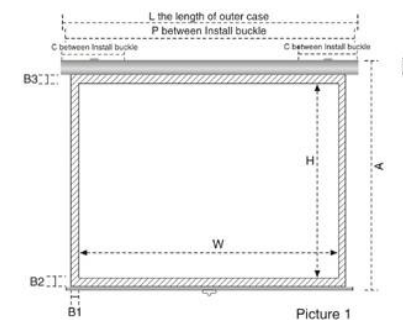
(drawing 6)



5. When dismantled is needed for the projection screen, simply disentangle the back lock fixing screw of the right and left metal install bracket. Put the back lock down, make the screen outer case away from the metal install bracket, and then put down the screen.



The right and left metal install bracket can be moved to the middle point freely, the space of the moving is shown at the sheet 1



Picture 2

Operating Guide

When using the screen

Haul down the handle of screen upright direction with the attached catching stick, when it come to the situation where hand to reach, then change your hand to haul it to your needing place is ok.

When change your hand to haul the screen

Please haul the screen little to startup the screen, following, let the screen circle up a little, then haul the screen to your needing place is ok.

When recover the screen

Use your hand haul the screen down a little and startup the screen.

- Warning:** When finish the screen's installation, for safety, please haul down the screen outer case to confirm whether the installation is fasten. If the installation is not fasten, the product will be damaged or hurt the people.