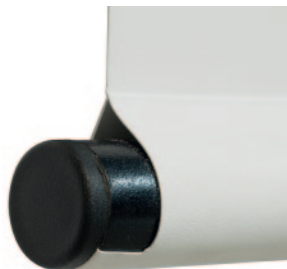


Linear SE model dedicated to those who wish to get a competitive price product without forfeiting quality. Linear SE is a new motorized model with renewed aesthetics and a modern super-quick installation system. Technology and ease of installation are the main plus of this version, dedicated to professional installations, schools and small meeting rooms.

This screen model has not been conceived to be installed on-ceiling in the middle of a room; it will have to be installed against a wall.

Available with dimensions from 1.8 to 2.6 m viewing width in formats 1:1 / 4:3 / 16:9 / 16:10

See page **F101D**
for Technical data



Quick installation system ▲

Create your own screen with the PSS

- > **Personalized dimensions:** width and height
- > **Motor type:** standard motorized
- > **Case:** with quick-installation system
- > **Case color:** standard in matt white. Optional in matt black
- > **Projection surface** back (standard) or reverse-roll (optional)
- > **Side of command/motor:** right only

Projection Surfaces (see page 6)

- > VisionWhite / VisionWhitePro
 - > VisionRear DB / VisionRear
- Available only without black borders.

Standard Accessories

- > Kit with wall or ceiling quick installation brackets
- > Unipolar selector switch

Optional Accessories

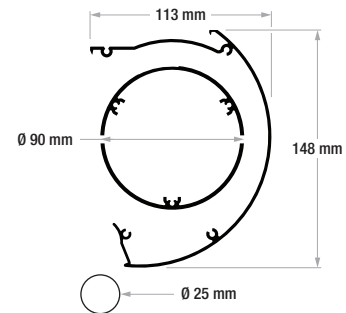
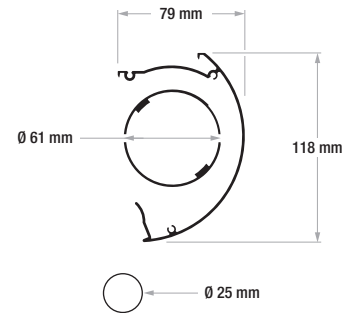
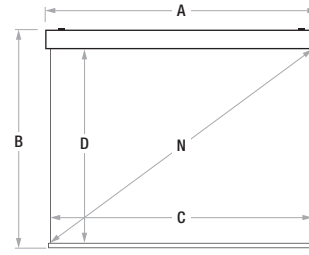
- > Receiver and RF remote control for motorized screen
- > Receiver and infrared remote control

PSS Formats



Linear SE Without borders

| Aspect Ratio | Viewing Width | Viewing Height | Diagonal Inches | Overall Width | Overall Height | Packaging Dimensions | Net Weight | Gross Weight |
|-----------------|---------------|----------------|-----------------|---------------|----------------|----------------------|------------|--------------|
| | C | D | N | A | B | | | |
| 1,00 (1:1) | 1800 | 1800 | 100 | 1860 | 1943 | 2060x150x180 | 12 | 15 |
| | 2000 | 2000 | 111 | 2060 | 2143 | 2260x150x180 | 14 | 17 |
| | 2200 | 2200 | 122 | 2260 | 2343 | 2460x150x180 | 16 | 19 |
| | 2400 | 2400 | 134 | 2460 | 2543 | 2660x150x180 | 18 | 21 |
| | 2600 | 2600 | 145 | 2660 | 2743 | 2860x150x180 | 20 | 23 |
| | 3000 | 3000 | 167 | 3060 | 3175 | 3260x150x180 | 22 | 25 |
| 1,33 (4:3) | 1800 | 1353 | 89 | 1860 | 1496 | 2060x150x180 | 12 | 15 |
| | 2000 | 1504 | 99 | 2060 | 1647 | 2260x150x180 | 14 | 17 |
| | 2200 | 1654 | 108 | 2260 | 1797 | 2460x150x180 | 16 | 19 |
| | 2400 | 1805 | 118 | 2460 | 1948 | 2660x150x180 | 18 | 21 |
| | 2600 | 1955 | 128 | 2660 | 2098 | 2860x150x180 | 20 | 23 |
| | 3000 | 2256 | 148 | 3060 | 2431 | 3260x150x180 | 22 | 25 |
| 1,60 (16:10) | 1800 | 1125 | 84 | 1860 | 1268 | 2060x150x180 | 12 | 15 |
| | 2000 | 1250 | 93 | 2060 | 1393 | 2260x150x180 | 14 | 17 |
| | 2200 | 1375 | 102 | 2260 | 1518 | 2460x150x180 | 16 | 19 |
| | 2400 | 1500 | 111 | 2460 | 1643 | 2660x150x180 | 18 | 21 |
| | 2600 | 1625 | 121 | 2660 | 1768 | 2860x150x180 | 20 | 23 |
| | 3000 | 1875 | 139 | 3060 | 2050 | 3260x150x180 | 21 | 24 |
| 1,78 (16:9) | 1800 | 1011 | 81 | 1860 | 1154 | 2060x150x180 | 12 | 15 |
| | 2000 | 1124 | 90 | 2060 | 1267 | 2260x150x180 | 14 | 17 |
| | 2200 | 1236 | 99 | 2260 | 1379 | 2460x150x180 | 16 | 19 |
| | 2400 | 1348 | 108 | 2460 | 1491 | 2660x150x180 | 18 | 21 |
| | 2600 | 1461 | 117 | 2660 | 1604 | 2860x150x180 | 20 | 23 |
| | 3000 | 1685 | 135 | 3060 | 1860 | 3260x150x180 | 21 | 24 |
| 3500 | 1966 | 158 | 3560 | 2141 | 3760x150x180 | 22 | 25 | |
| 4000 | 2247 | 181 | 4060 | 2422 | 4260x150x180 | 23 | 26 | |



In certain circumstances, due to the surface's height, it is necessary to use a case with the rolling tube of 90 mm.



Surface
Fireproof
Certifications