



The Rugby PRO rolling screen has been designed for the professional channel, where ease of installation, durable materials and simplicity of use are required.

In this product line, the heads and lower bar are made of laminated iron to make the screen extremely robust.

The aluminium case has been designed with an innovative interlocking system that reduces the transmission of vibrations from the motor, limiting the noise when operating the screen.

The fixing system has been completely innovated and allows symmetrical installation with both front and back screen fall.

In the Rugby range, rollers of different diameters are used based on the size of the projection viewing area. Rolls of 90mm are mounted on sizes over 2500mm and up to 4500mm of viewing area width.

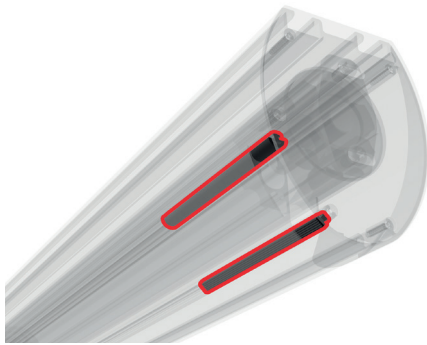
In the non-tensioned version, the Rugby PRO is available with or without edges.

Case and lower bar are available in matt white or matt black. Back fall for the surface is the standard. Front and reverse-roll are also available as options.

Motor is on the right side (standard). It can also be ordered on the left side (optional).



See page **68**
for Technical data



Softend Lowbar System

Designed using soft gaskets that dampen noise and absorb contacts when closing the lower bar.



SuperQuick Bracket Attachment System

The screen is supplied with an improved rapid and user-friendly fixing system for both wall and ceiling mounting. The clamping has been designed adopting symmetrical logics to enable both front and back mounting. The bracket kit consists of a single fixing unit (extruded aluminium bracket) and a single clamping unit (PVC moulded block), significantly reducing the number of parts.



Lowbar design detail ▲



(Optional) Screen with mechanical motor and radio receiver installed inside the casing (the receiver is not inside of the motor, like with a standard radio integrated motor).

Create your own screen with the PSS

- > **Personalized dimensions:** width and height
- > **Motor type:** standard motor or motor with RF receiver integrated in the casing (optional)
- > **Case:** with quick-installation system
- > **Case color:** standard in White Matte. Optional in Black Matte. Custom color for an extra cost
- > **Standard Drop:** from 5 to 45 cm
- > **Projection surface fall:** back (standard), front or reverse-roll (optional)
- > **Side of command/motor:** right (standard) or left (optional)

Projection Surfaces (see page 6)

- > Reference White 2 / Reference Grey 2
- > Ambient Grey 2
- > Vision White / Vision White Pro
- > Vision Acoustik
- > Vision Rear DB available only without black borders
- > Chroma Key, only without black borders

Standard Accessories

- > SuperQuick Bracket Attachment System, quick installation wall or ceiling brackets
- > Softend Lowbar System, rubber shock absorbers between the lower bar and case
- > Unipolar switch
- > Remote control (only for radio integrated version)

Optional Accessories

- > Interface to drive the screen in radio frequency with remote control (not included), 12V trigger, unipolar switch, dry contact or RS232
- > Receiver and infrared remote control
- > Extension brackets for screens up to 60 cm
- > Screen lift

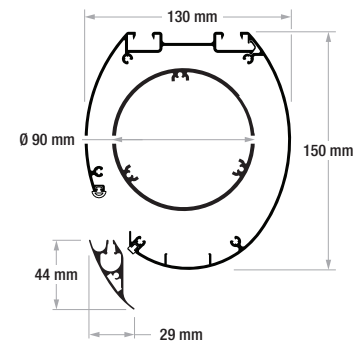
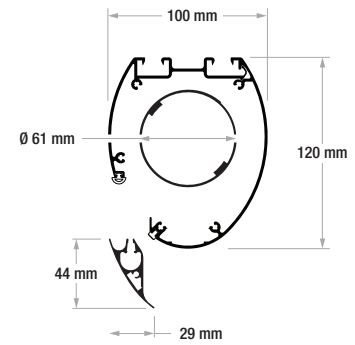
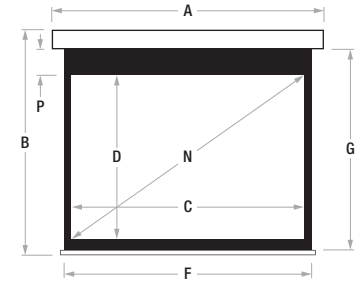
PSS Formats

1:1	1.33:1	1.60:1	1.78:1	2.35:1	2.37:1	2.39:1	2.40:1
	4:3	16:10	16:9	21:9			

Rugby Pro 50 mm borders

Aspect ratio	Viewing Width	Viewing Height	Diagonal Inches	Overall Width	Overall Height	Surface Width	Surface Height	Standard Drop	Total Maximum Drop	Packaging Dimensions	Net Weight	Gross Weight
	C	D	N	A	B	F	G	P	mm	mm	kg	kg
1.00 (1:1)	1900	1900	106	2070	2164	2000	2000	50	50	2344X150X180	15	17
	2400	2400	134	2570	2694	2500	2500	100	100	2874X210X200	20	22
	2900	2900	161	3070	3244	3000	3050	100	100	3374X210X200	26	28
1.33 (4:3)	1900	1429	94	2070	1693	2000	1529	50	450	2080X150X180	15	17
	2400	1805	118	2570	2069	2500	1905	50	450	2580X150X180	20	22
	2900	2180	143	3070	2524	3000	2330	100	450	3080X210X200	26	28
	3400	2556	167	3570	2900	3500	2706	100	400	3580X210X200	32	34
	3900	2932	192	4070	3276	4000	3082	100	450	4080X210X200	38	40
1.6 (16:10)	1900	1188	88	2070	1452	2000	1288	50	450	2080X150X180	15	17
	2400	1500	111	2570	1764	2500	1600	50	450	2580X150X180	20	22
	2900	1813	135	3070	2157	3000	1963	100	450	3080X210X200	26	28
	3400	2125	158	3570	2469	3500	2275	100	450	3580X210X200	32	34
	3900	2438	181	4070	2782	4000	2588	100	450	4080X210X200	38	40
1.78 (16:9)	1900	1067	86	2070	1331	2000	1167	50	450	2080X150X180	15	17
	2400	1348	108	2570	1612	2500	1448	50	450	2580X150X180	20	22
	2900	1629	131	3070	1973	3000	1779	100	450	3080X210X200	26	28
	3400	1910	154	3570	2254	3500	2060	100	450	3580X210X200	32	34
	3900	2191	176	4070	2535	4000	2341	100	450	4080X210X200	38	40
2.35 (21:9)	1900	809	81	2070	1073	2000	909	50	450	2080X150X180	15	17
	2400	1021	103	2570	1285	2500	1121	50	450	2580X150X180	20	22
	2900	1234	124	3070	1578	3000	1384	100	450	3080X210X200	26	28
	3400	1447	145	3570	1791	3500	1597	100	450	3580X210X200	32	34
	3900	1660	167	4070	2004	4000	1810	100	450	4080X210X200	38	40
2.37	1900	802	81	2070	1066	2000	902	50	450	2080X150X180	15	17
	2400	1013	103	2570	1277	2500	1113	50	450	2580X150X180	20	22
	2900	1224	124	3070	1568	3000	1374	100	450	3080X210X200	26	28
	3400	1435	145	3570	1779	3500	1585	100	450	3580X210X200	32	34
	3900	1646	167	4070	1990	4000	1796	100	450	4080X210X200	38	40
2.39	1900	795	81	2070	1059	2000	895	50	450	2080X150X180	15	17
	2400	1004	102	2570	1268	2500	1104	50	450	2580X150X180	20	22
	2900	1213	124	3070	1557	3000	1363	100	450	3080X210X200	26	28
	3400	1423	145	3570	1767	3500	1573	100	450	3580X210X200	32	34
	3900	1632	166	4070	1976	4000	1782	100	450	4080X210X200	38	40
2.40	1900	792	81	2070	1056	2000	892	50	450	2080X150X180	15	17
	2400	1000	102	2570	1264	2500	1100	50	450	2580X150X180	20	22
	2900	1208	124	3070	1552	3000	1358	100	450	3080X210X200	26	28
	3400	1417	145	3570	1761	3500	1567	100	450	3580X210X200	32	34
	3900	1625	166	4070	1969	4000	1775	100	450	4080X210X200	38	40

Custom sizes are available upon request



In certain circumstances, due to the surface's height, it is necessary to use a case with the rolling tube of 90 mm.

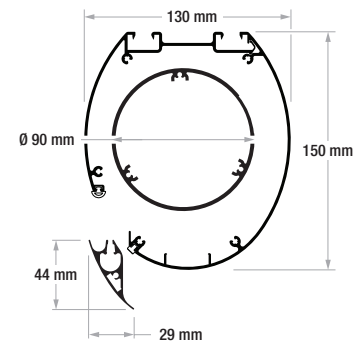
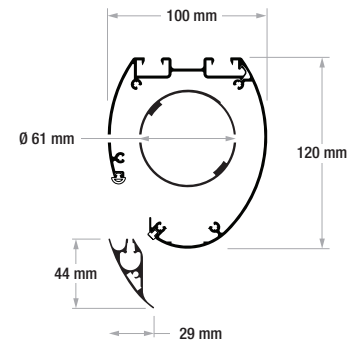
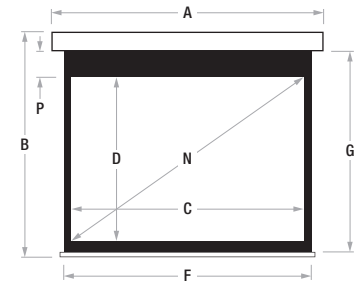


Surface Fireproof Certifications

Rugby Pro 70 mm borders

Aspect Ratio	Viewing Width	Viewing Height	Diagonal Inches	Overall Width	Overall Height	Surface Width	Surface Height	Standard Drop	Total Maximum Drop	Packaging Dimensions	Net Weight	Gross Weight
	C	D	N	A	B	F	G	P	mm	mm	kg	kg
1.00 (1:1)	1860	1860	104	2070	2164	2000	2000	70	70	2344X150X180	15	17
	2360	2360	131	2570	2694	2500	2500	100	100	2874X210X200	20	22
	2860	2860	159	3070	3224	3000	3030	100	100	3374X210X200	26	28
1.33 (4:3)	1860	1398	92	2070	1702	2000	1538	70	450	2040X150X180	15	17
	2360	1774	116	2570	2078	2500	1914	70	450	2540X150X180	20	22
	2860	2150	141	3070	2514	3000	2320	100	450	3040X210X200	26	28
	3360	2526	166	3570	2890	3500	2696	100	400	3540X210X200	32	34
	3860	2902	190	4070	3266	4000	3072	100	450	4040X210X200	38	40
1.6 (16:10)	4360	3278	215	4570	3642	4500	3448	100	150	4540X210X200	44	46
	1860	1163	86	2070	1467	2000	1303	70	450	2040X150X180	15	17
	2360	1475	110	2570	1779	2500	1615	70	450	2540X150X180	20	22
	2860	1788	133	3070	2152	3000	1958	100	450	3040X210X200	26	28
	3360	2100	156	3570	2464	3500	2270	100	450	3540X210X200	32	34
1.78 (16:9)	3860	2413	179	4070	2777	4000	2583	100	450	4040X210X200	38	40
	4360	2725	202	4570	3089	4500	2895	100	450	4540X210X200	44	46
	1860	1045	84	2070	1349	2000	1185	70	450	2040X150X180	15	17
	2360	1326	107	2570	1630	2500	1466	70	450	2540X150X180	20	22
	2860	1607	129	3070	1971	3000	1777	100	450	3040X210X200	26	28
2.35 (21:9)	3360	1888	152	3570	2252	3500	2058	100	450	3540X210X200	32	34
	3860	2169	174	4070	2533	4000	2339	100	450	4040X210X200	38	40
	4360	2449	197	4570	2813	4500	2619	100	450	4540X210X200	44	46
	1860	791	80	2070	1095	2000	931	70	450	2040X150X180	15	17
	2360	1004	101	2570	1308	2500	1144	70	450	2540X150X180	20	22
2.37	2860	1217	122	3070	1581	3000	1387	100	450	3040X210X200	26	28
	3360	1430	144	3570	1794	3500	1600	100	450	3540X210X200	32	34
	3860	1643	165	4070	2007	4000	1813	100	450	4040X210X200	38	40
	4360	1855	187	4570	2219	4500	2025	100	450	4540X210X200	44	46
	2.39	1860	785	79	2070	1089	2000	925	70	450	2040X150X180	15
2360		996	101	2570	1300	2500	1136	70	450	2540X150X180	20	22
2860		1207	122	3070	1571	3000	1377	100	450	3040X210X200	26	28
3360		1418	144	3570	1782	3500	1588	100	450	3540X210X200	32	34
3860		1629	165	4070	1993	4000	1799	100	450	4040X210X200	38	40
2.40	4360	1840	186	4570	2204	4500	2010	100	450	4540X210X200	44	46
	1860	778	79	2070	1082	2000	918	70	450	2040X150X180	15	17
	2360	987	101	2570	1291	2500	1127	70	450	2540X150X180	20	22
	2860	1197	122	3070	1561	3000	1367	100	450	3040X210X200	26	28
	3360	1406	143	3570	1770	3500	1576	100	450	3540X210X200	32	34
2.40	3860	1615	165	4070	1979	4000	1785	100	450	4040X210X200	38	40
	4360	1824	186	4570	2188	4500	1994	100	450	4540X210X200	44	46
	1860	775	79	2070	1079	2000	915	70	450	2040X150X180	15	17
	2360	983	101	2570	1287	2500	1123	70	450	2540X150X180	20	22
	2860	1192	122	3070	1556	3000	1362	100	450	3040X210X200	26	28
2.40	3360	1400	143	3570	1764	3500	1570	100	450	3540X210X200	32	34
	3860	1608	165	4070	1972	4000	1778	100	450	4040X210X200	38	40
	4360	1817	186	4570	2181	4500	1987	100	450	4540X210X200	44	46

Custom sizes are available upon request



In certain circumstances, due to the surface's height, it is necessary to use a case with the rolling tube of 90 mm.

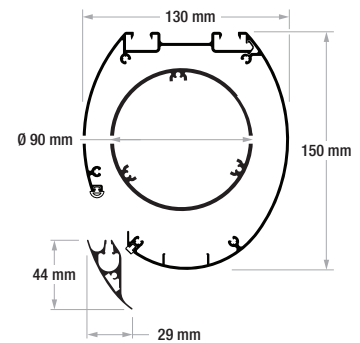
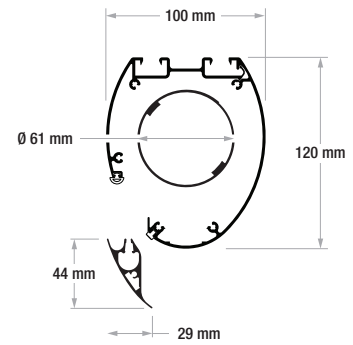
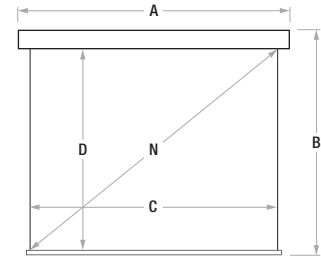


Surface Fireproof Certifications

Rugby Pro Without borders

Aspect ratio	Viewing Width	Viewing Height	Diagonal Inches	Overall Width	Overall Height	Packaging Dimensions	Net Weight	Gross Weight
	C	D	N	A	B	mm	kg	kg
1.00 (1:1)	2000	2000	111	2070	2164	2250X150X180	15	17
	2500	2500	139	2570	2694	2750X210X200	20	22
	3000	3000	167	3070	3194	3250X210X200	26	28
1.33 (4:3)	2000	1504	99	2070	1668	2250X150X180	15	17
	2500	1880	123	2570	2044	2750X150X180	20	22
	3000	2256	148	3070	2450	3250X210X200	26	28
	3500	2632	172	3570	2826	3750X210X200	32	34
	4000	3008	197	4070	3202	4250X210X200	38	40
1.6 (16:10)	4500	3383	222	4570	3577	4750X210X200	44	46
	2000	1250	93	2070	1414	2250X150X180	15	17
	2500	1563	116	2570	1727	2750X150X180	20	22
	3000	1875	139	3070	2069	3250X210X200	26	28
	3500	2188	162	3570	2382	3750X210X200	32	34
1.78 (16:9)	4000	2500	186	4070	2694	4250X210X200	38	40
	4500	2813	209	4570	3007	4750X210X200	44	46
	2000	1124	90	2070	1288	2250X150X180	15	17
	2500	1404	113	2570	1568	2750X150X180	20	22
	3000	1685	135	3070	1879	3250X210X200	26	28
2.35 (21:9)	3500	1966	158	3570	2160	3750X210X200	32	34
	4000	2247	181	4070	2441	4250X210X200	38	40
	4500	2528	203	4570	2722	4750X210X200	44	46
	2000	851	86	2070	1015	2250X150X180	15	17
	2500	1064	107	2570	1228	2750X150X180	20	22
2.37	3000	1277	128	3070	1471	3250X210X200	26	28
	3500	1489	150	3570	1683	3750X210X200	32	34
	4000	1702	171	4070	1896	4250X210X200	38	40
	4500	1915	193	4570	2109	4750X210X200	44	46
	2.39	2000	844	85	2070	1008	2250X150X180	15
2500		1055	107	2570	1219	2750X150X180	20	22
3000		1266	128	3070	1460	3250X210X200	26	28
3500		1477	150	3570	1671	3750X210X200	32	34
4000		1688	171	4070	1882	4250X210X200	38	40
2.40	4500	1899	192	4570	2093	4750X210X200	44	46
	2000	837	85	2070	1001	2250X150X180	15	17
	2500	1046	107	2570	1210	2750X150X180	20	22
	3000	1255	128	3070	1449	3250X210X200	26	28
	3500	1464	149	3570	1658	3750X210X200	32	34
2.40	4000	1674	171	4070	1868	4250X210X200	38	40
	4500	1883	192	4570	2077	4750X210X200	44	46
	2000	833	85	2070	997	2250X150X180	15	17
	2500	1042	107	2570	1206	2750X150X180	20	22
	3000	1250	128	3070	1444	3250X210X200	26	28
2.40	3500	1458	149	3570	1652	3750X210X200	32	34
	4000	1667	171	4070	1861	4250X210X200	38	40
	4500	1875	192	4570	2069	4750X210X200	44	46

Custom sizes are available upon request



In certain circumstances, due to the surface's height, it is necessary to use a case with the rolling tube of 90 mm.



Surface Fireproof Certifications